

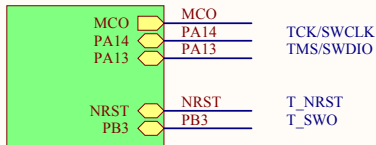
1

2

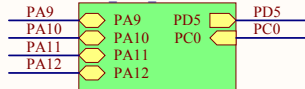
3

4

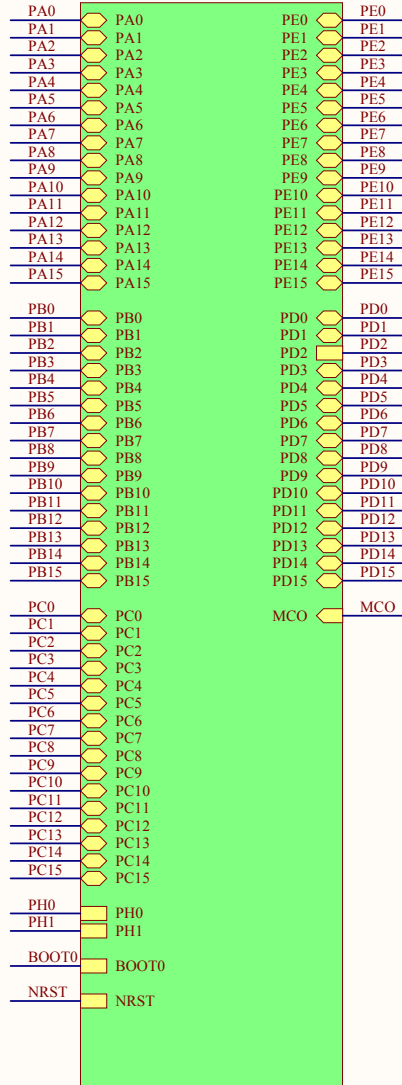
ST_LINK_V2.SCHDOC
U_ST_LINK



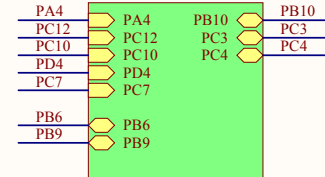
U_USB_OTG_FS
USB_OTG_FS.SchDoc



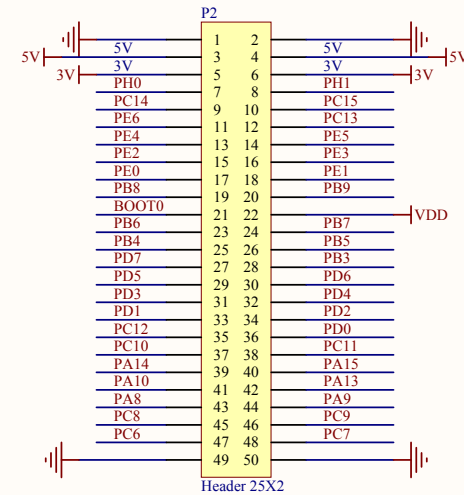
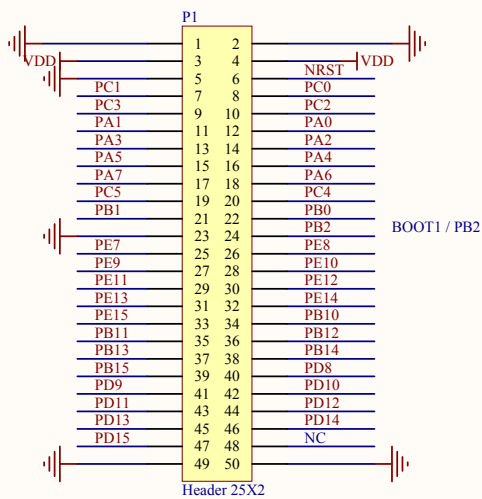
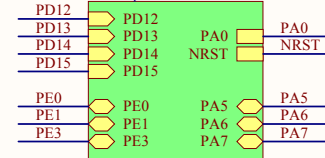
U_STM32Fx
STM32Fx.SchDoc



U_Audio
Audio.SchDoc



U_IO Peripherals
IO Peripherals.SchDoc



Rev B.2 -> R27 Not Fitted, R28 Fitted. PCB label MB997 B-02
Rev B.1 -> PCB label MB997 B-01

STMicroelectronics

Title: **STM32F4DISCOVERY**

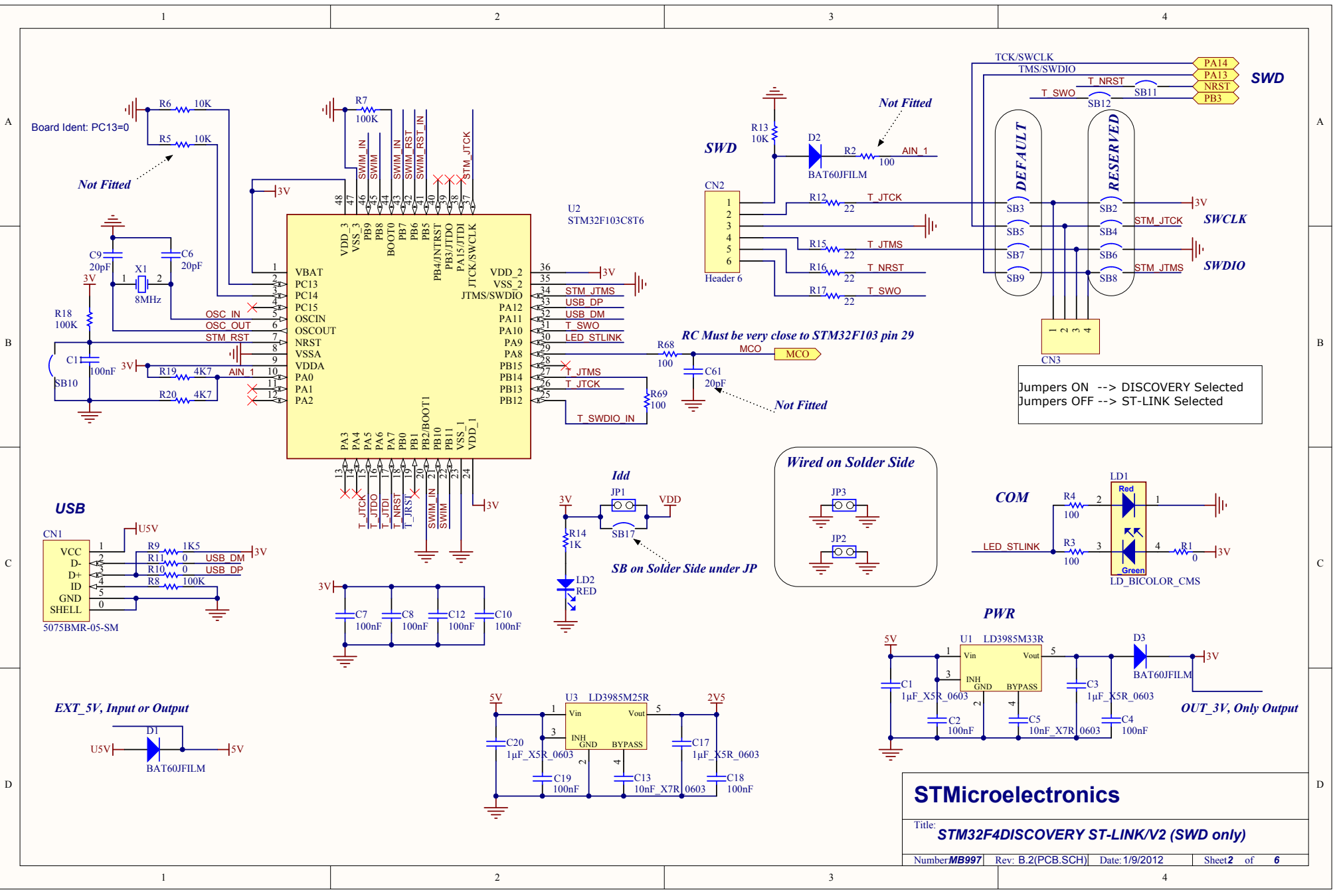
Number **MB997** | Rev: B.2(PCB.SCH) | Date: 1/9/2012 | Sheet **1** of **6**

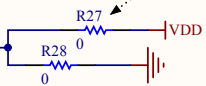
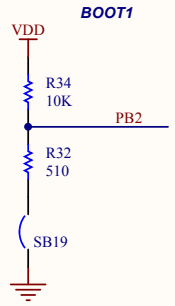
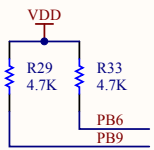
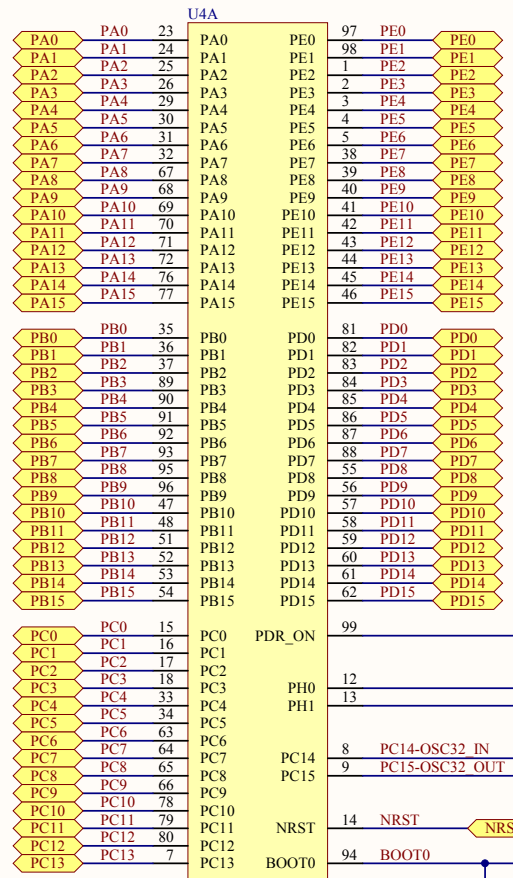
1

2

3

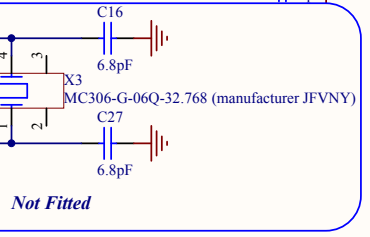
4





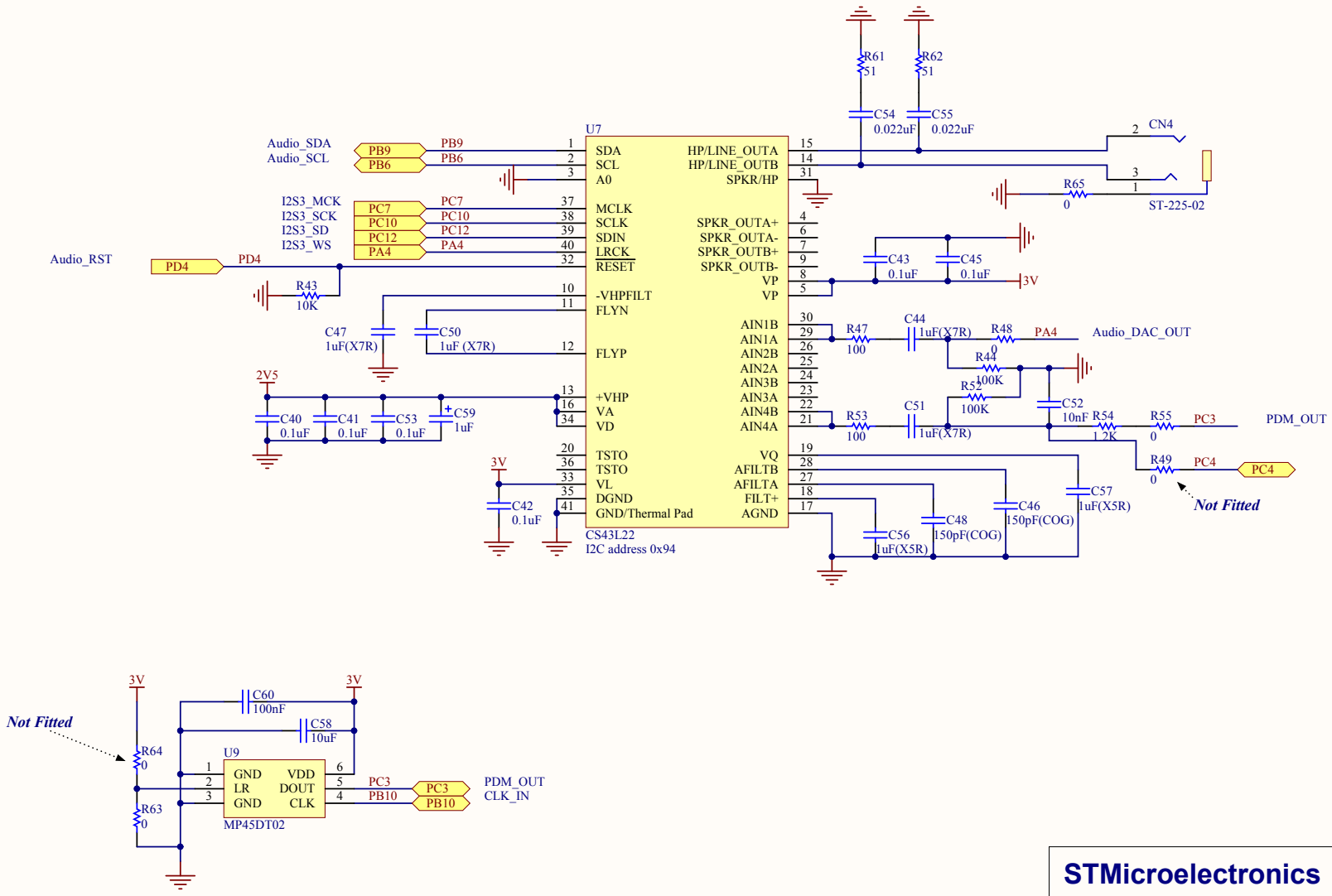
Must be close to the Crystal

Not Fitted



STMicroelectronics

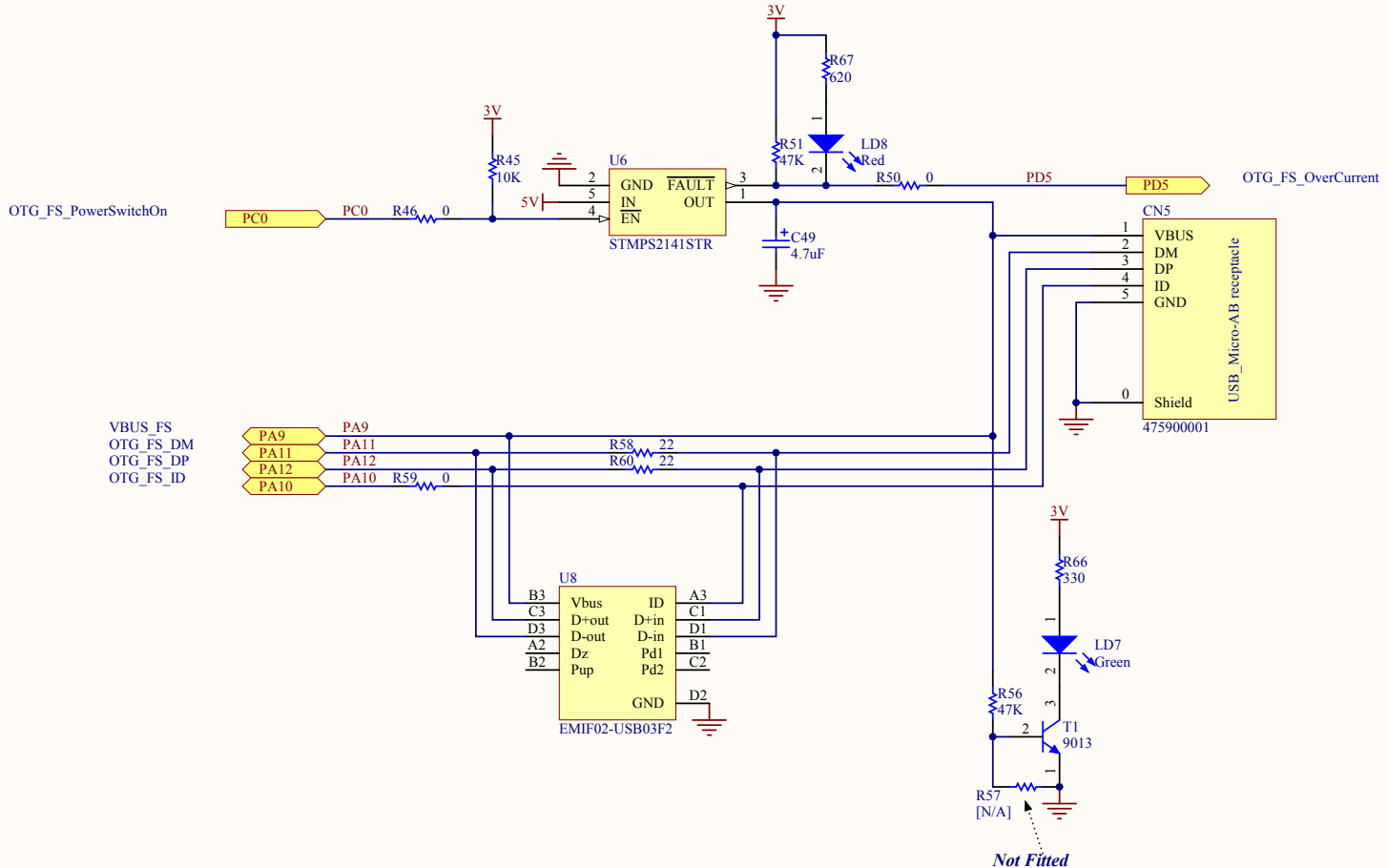
Title: STM32F4DISCOVERY MCU			
Number MB997	Rev: B.2(PCB.SCH)	Date: 1/9/2012	Sheet 3 of 6



STMicroelectronics

Title: **STM32F4DISCOVERY Audio**

Number **MB997** | Rev: B.2(PCB.SCH) | Date: 1/9/2012 | Sheet4 of 6



STMicroelectronics

Title: **STM32F4DISCOVERY USB_OTG_FS**

Number **MB997** | Rev: B.2(PCB.SCH) | Date: 1/9/2012 | Sheet 5 of 6

1

2

3

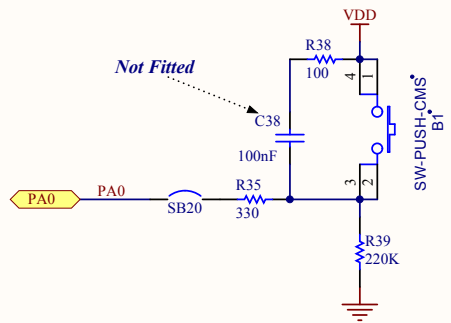
4

1

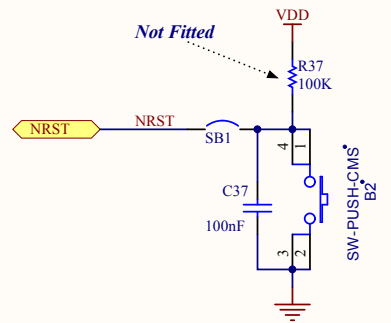
2

3

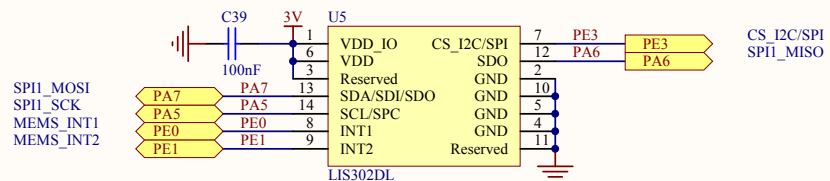
4



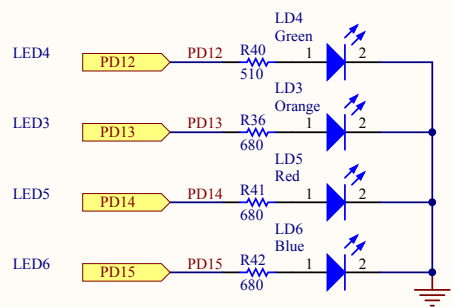
USER & WAKE-UP Button



RESET Button



MEMS



LEDs