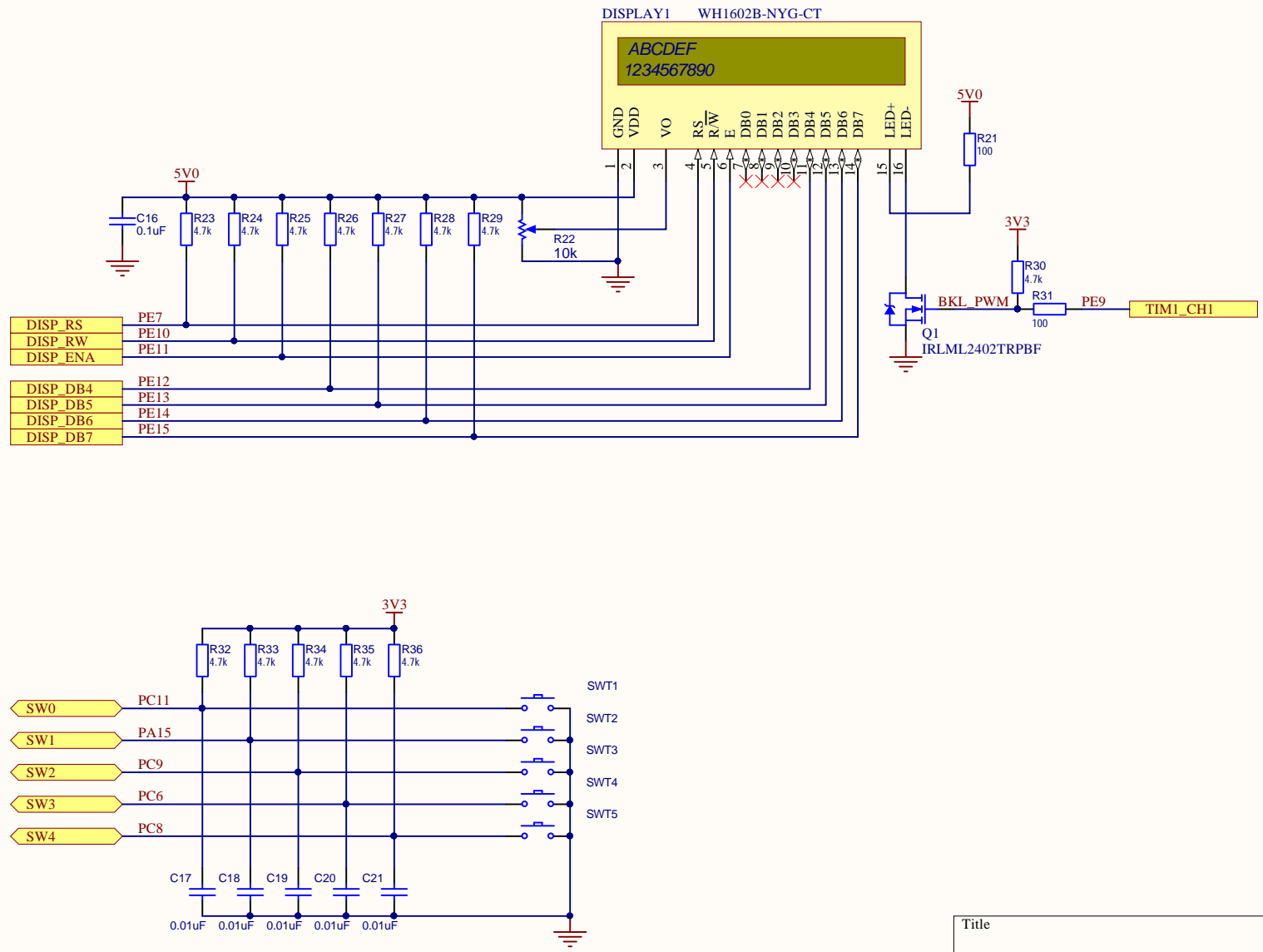
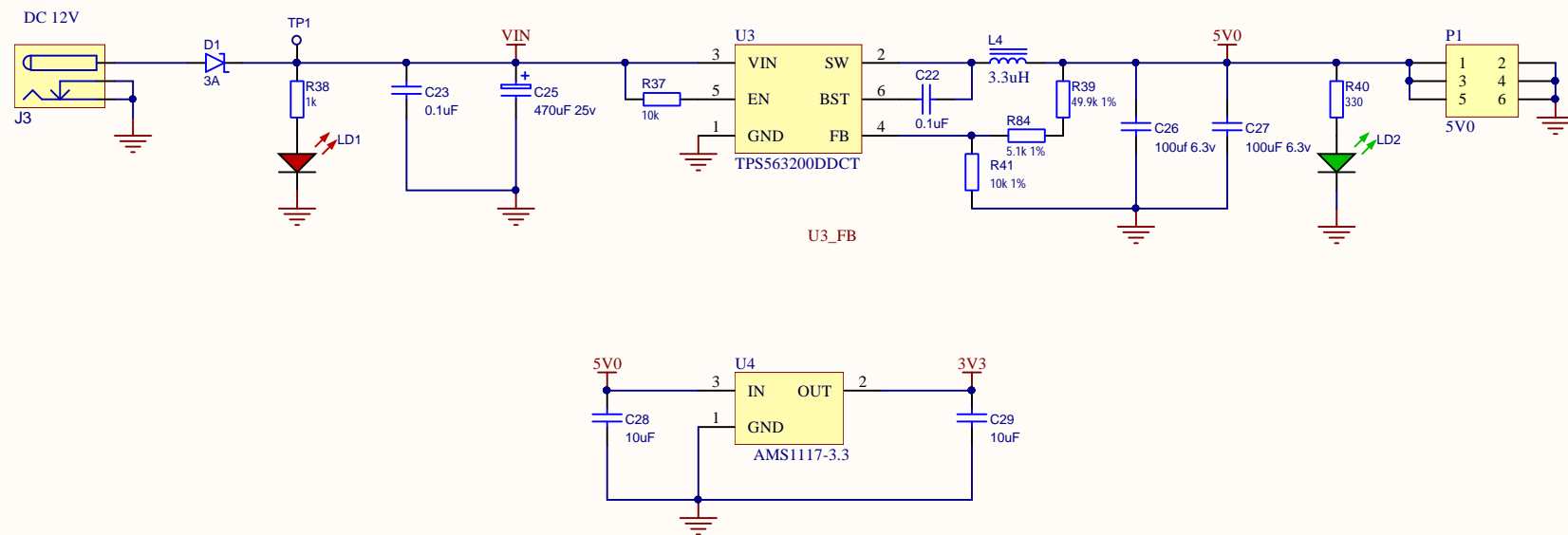


Title		
ETHERNET, CAN		
Size	Number	Revision
A4		
Date:	15.01.2019	Sheet of
File:	E:\Altium\connectivity.SchDoc	Drawn By:

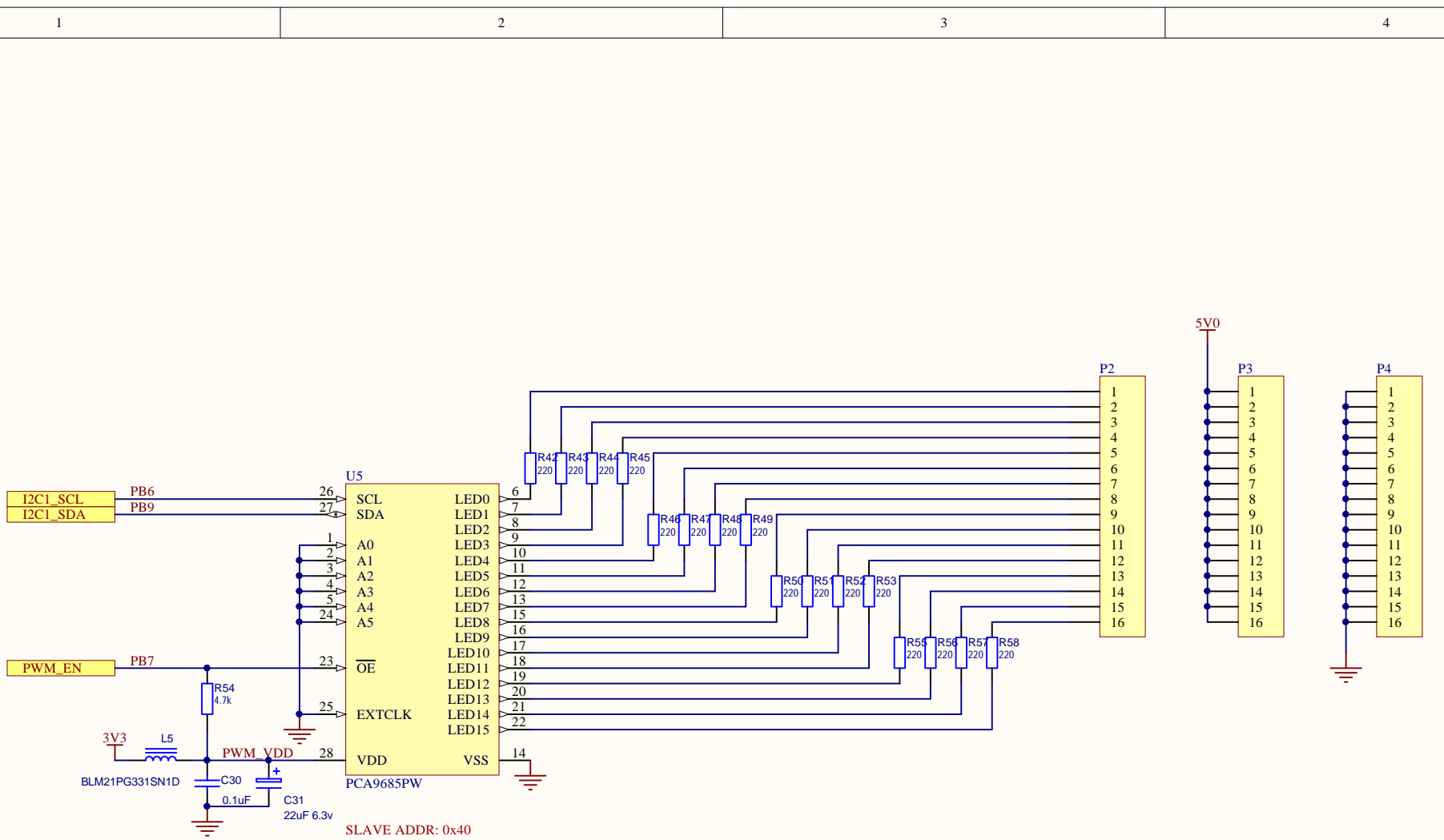


Title		
Size	Number	Revision
A4		
Date:	15.01.2019	Sheet of
File:	E:\Altium\.\display.SchDoc	Drawn By:



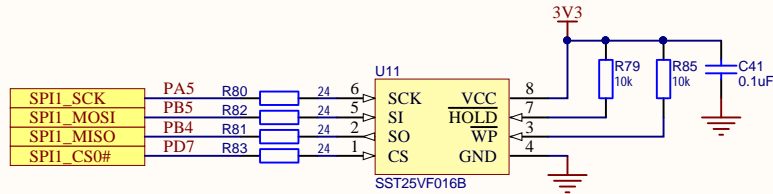
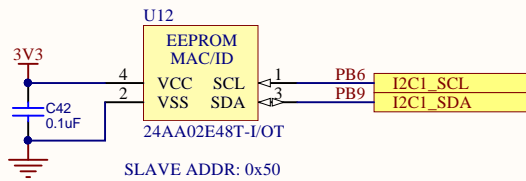
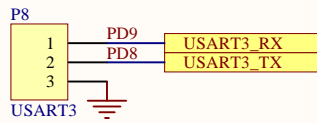
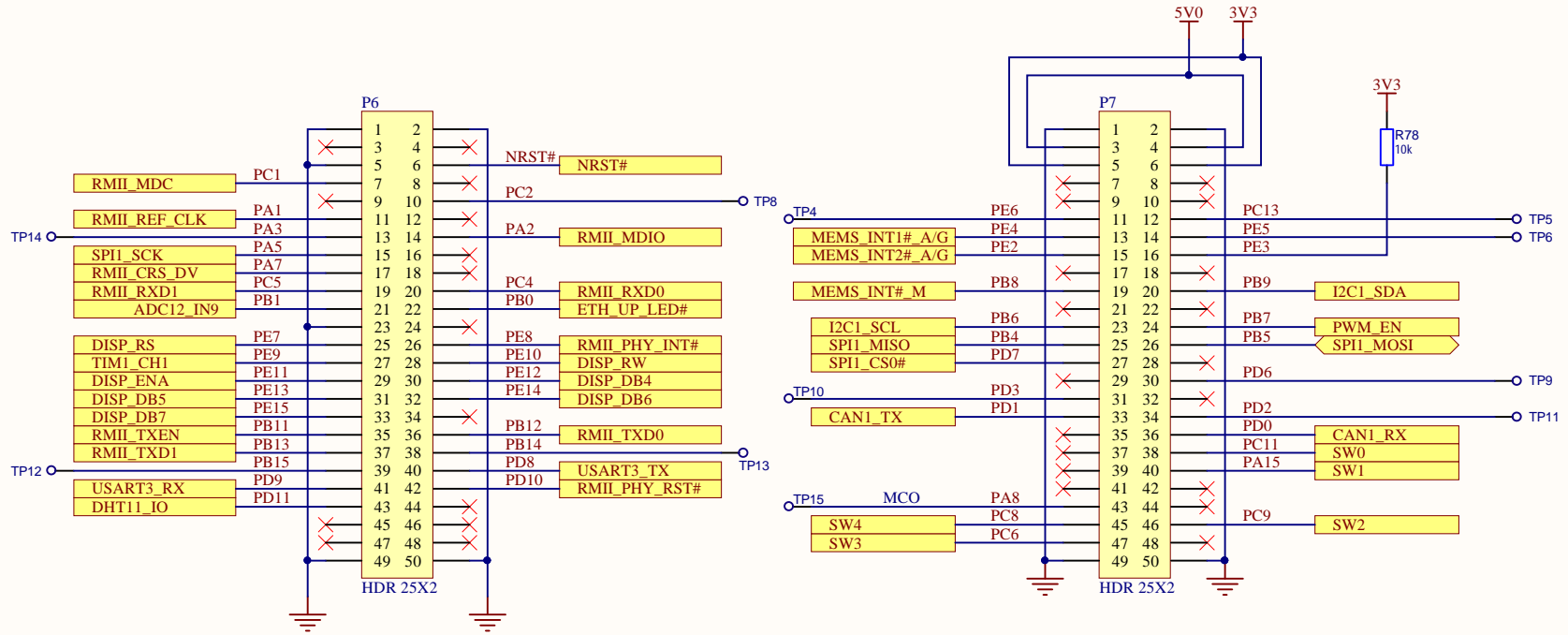
U3_FB

Title		
Size A4	Number	Revision
Date: 15.01.2019	Sheet of	
File: E:\Altium\...\power.SchDoc	Drawn By:	



Title		
Size	Number	Revision
A4		
Date:	15.01.2019	Sheet of
File:	E:\Altium\...\pwm.SchDoc	Drawn By:

STM32F4-DISCO CONNECTOR



Title		
Size	Number	Revision
A4		
Date:	15.01.2019	Sheet of
File:	E:\Altium\stm32f4disco.SchDoc	Drawn By:

STM32F4-DISCO

RoHS

